



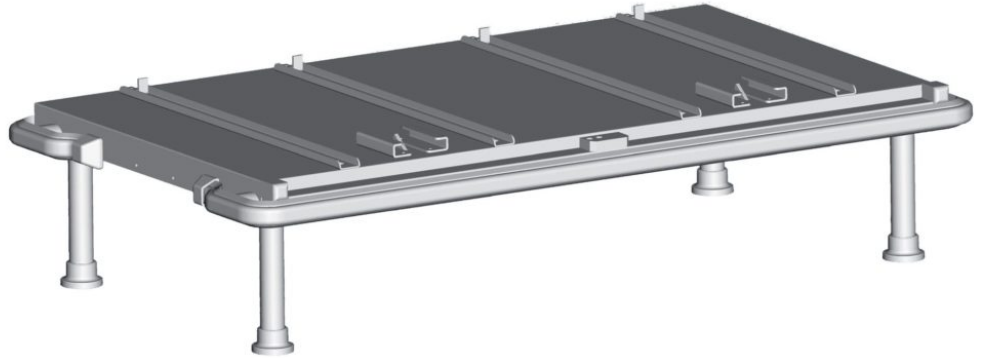
ALVI Officine Meccaniche E. Viazzo & C. s.r.l.
S.S. 230 n. 49 - 13030 CARESANABLOT (VC) - ITALIA
Tel. +39 0161 234600 - Fax +39 0161 234633
E-mail: info@alvi-italia.com - www.alvi-italia.com

SY 5030 4B

SY50300N051

Platform suitable for 2 single section shuttles

Made in AlMg3 light alloy sheet and profiles, anodized (10 micron). Equipped with 4 stainless steel rails on bottom, suitable for 2 single sections shuttle (5020 and 5025). All around non-marking grey rubber bottom buffer. 4 height adjustable feet.



External dimensions 1230 x 710 x 260 mm h

Capacity 2 single shuttles ISO-NORM or DIN-NORM

Weight 25 kg